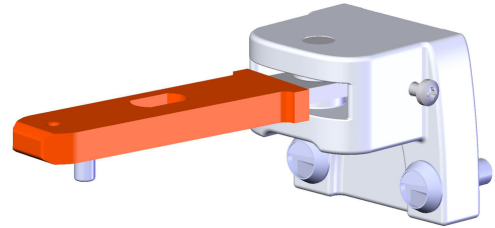


RADIUSBETAETIGER-Z-R (Order no. 024299)

Hinged actuator, right, for safety switches NZ.VZ, NZ.VZ.VS and TZ

- ▶ Two stainless-steel safety screws per actuator



Hinged actuators

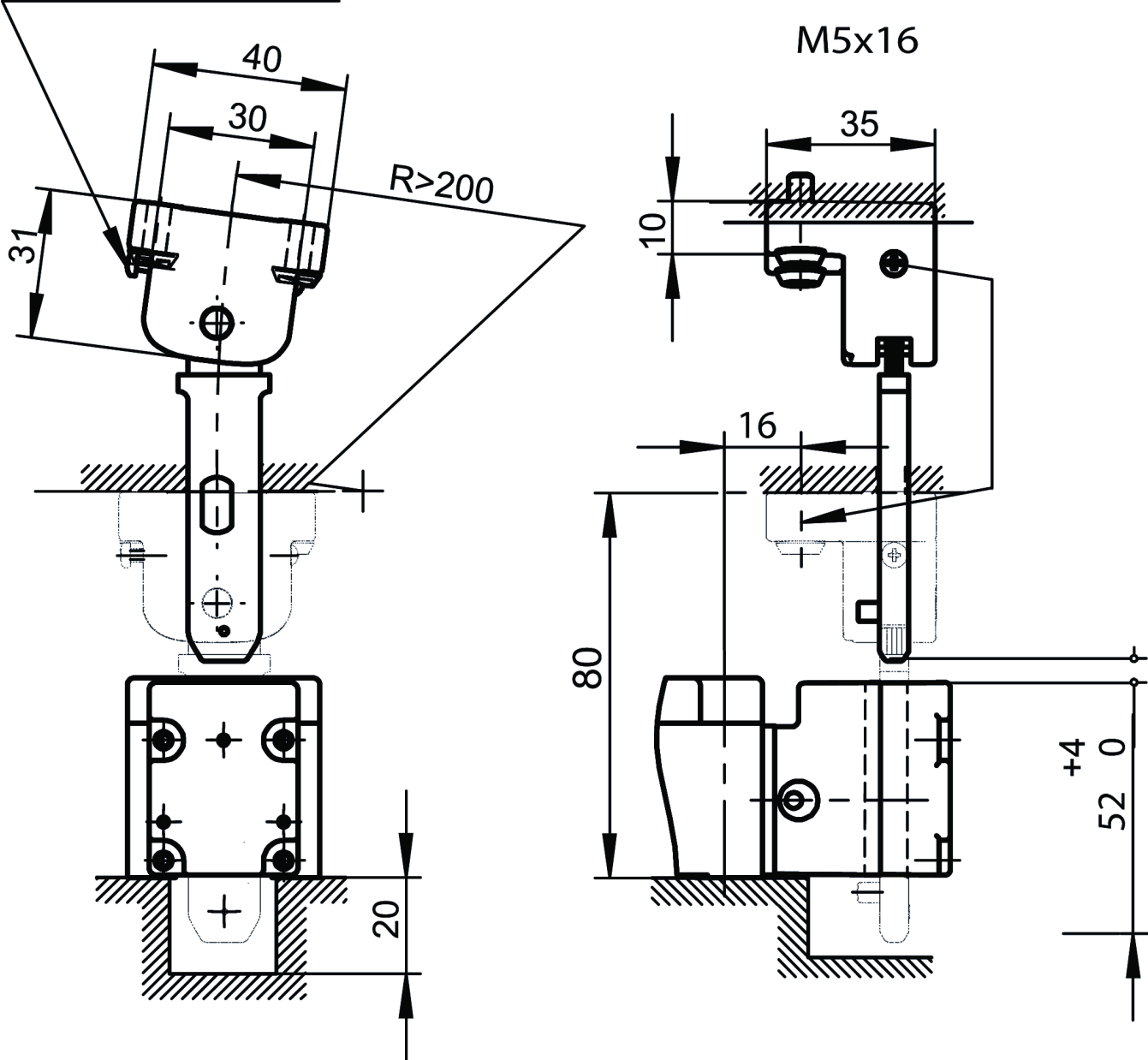
For door radii less than 1000 mm a hinged actuator should be used. The spring action movement of the actuator prevents damage due to the actuator jamming in the actuator head. Depending on the movement of the guard, the actuator must be selected for left/right or top/bottom.

Screws made of stainless steel

The safety screws included can be inserted with a normal tool, but cannot be removed again.

Dimensional drawings

R > 500



Technical data

Approvals



Mechanical values and environment

| | |
|------------|-----------|
| Overtravel | max. 4 mm |
|------------|-----------|

| | |
|-------------|-------------|
| Door radius | min. 200 mm |
|-------------|-------------|

Material

| | |
|--------|---------|
| Sheath | Plastic |
|--------|---------|

| | |
|----------|------------------|
| Actuator | Galvanized steel |
|----------|------------------|

| | |
|-------|-----------------|
| Screw | Stainless steel |
|-------|-----------------|

Miscellaneous

| | |
|-------------------------------|----|
| Usability of insertion funnel | no |
|-------------------------------|----|

Downloads

All documentation for this material can be found on our website:

<https://www.euchner.de/en-us/a/024299/?#downloads-tab>

Ordering data

| | |
|-------------------------------|---|
| Ordernumber | 024299 |
| Item designation | RADIUSBETAETIGER-Z-R |
| Gross weight | 0,08kg |
| European Article Number (EAN) | 4047048000049 |
| Customs tariff number | 85389099990 |
| ECLASS | 27-27-26-06 Actuator for safety-related position switch |

Accessories

Mounting accessories

Safety screws M5 x 16

073456

M5X16/V100

- ▶ Safety screws M5 x 16
- ▶ Packaging unit 100 pieces